

KA-A2 Monitor Arm

Monitor Weight: 6 to 10 kg

Features

- Allows free stop at any position in height, swivel, tilt, and pivot directions.
- Wiring for power, HDMI, and other cables can be routed.
- Supports multiple installation types with separately sold mounting brackets.
- Add an extension arm for double-arm, extended reach (sold separately).
- Uses a mechanical spring mechanism instead of a gas spring for improved reliability.

Notes

- Compliant with chemSHERPA
- Compliant with VESA standard (Hole P75x75mm, 100x100mm)
- Single-arm and double-arm brackets have different part numbers.

Parts Included

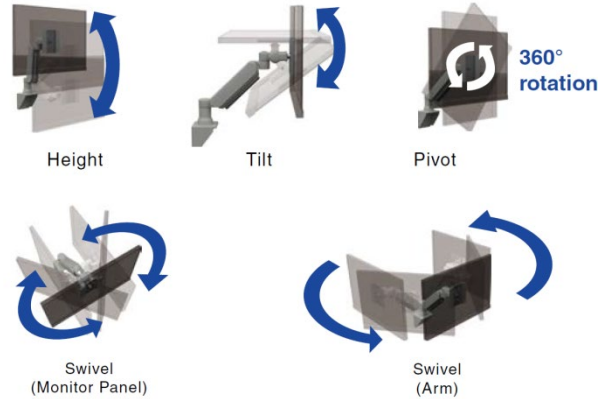
- Spacer, Hexagonal Wrench, Spring Washer M6, Arm Fixing Screw M6x15, Monitor Mounting Screw M4x10 & M4x12, Cable Cover.

Sold Separately

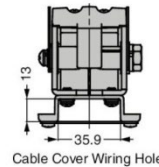
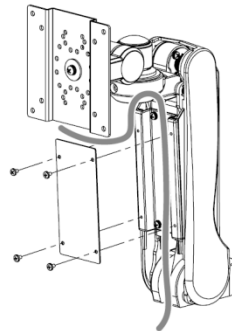
- Bench Mount Bracket
- Wall Mount Bracket
- Extension Arm



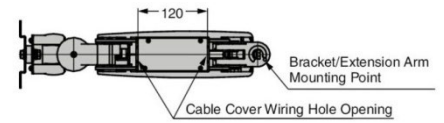
Movable Direction: Stops at any position



Cable Cover
Wiring Hole

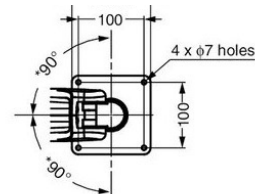
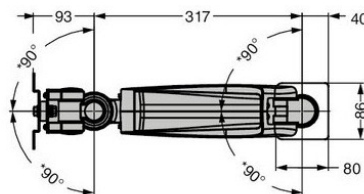


Cable Cover Wiring Hole

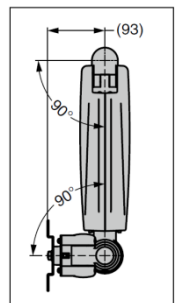


Bracket/Extension Arm
Mounting Point
Cable Cover Wiring Hole Opening

Wiring can be routed.

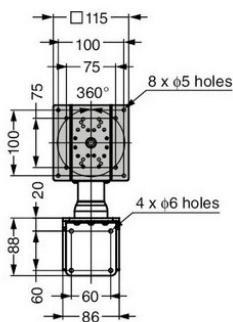


Bench Mount Bracket

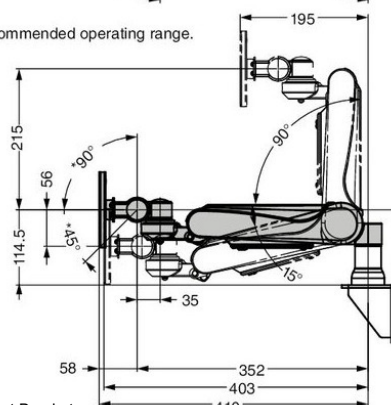


Folded State
Reference

*There is no stopper limit.
The angles shown indicate the recommended operating range.



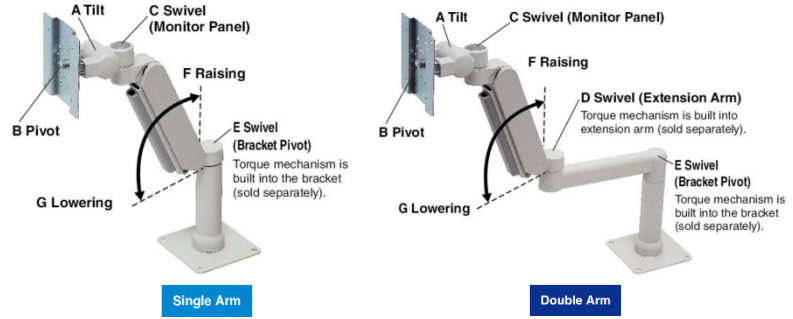
KA-A2 + Wall Mount Bracket



Bench Mount Bracket

Torque and Operating Force Reference Values

Indicates the torque at each joint and the arm operating force during monitor installation (raising and lowering). Suitable for monitors up to approximately 32 inches.



Item Name	Torque N-m					Operating Force N-m ^{*2}		
	A Tilt	B Pivot	Swivel			Height		
			C Monitor Panel	D Extension Arm ^{*1}	E Bracket Pivot ^{*1}	Monitor weight kg	F Raising	G Lowering
KA-A2-1021-BL	16	6	1.5	2	2	6	5.6	10.8
KA-A2-1021-LGR						10	11.4	5.2

^{*1} Sold Separately.

^{*2} Operating force values indicate average torque with a monitor mounted. Values may vary depending on monitor size and usage environment. Please use as a reference only.

Monitor Arm

Part No.	Colour	Material	Specifications
KA-A2-1021-BL	Black	Aluminium Alloy (ADC) / ABS Resin / Steel	Monitor weight 6 – 10 kg
KA-A2-1021-LGR	Light Grey		

A mounting bracket is required. The arm body alone cannot be installed. Select one of the brackets below according to the mounting method.

KA-A2

Single Arm

Arm Body

Extension Arm

Sold Separately

Not Required

Bracket

Item names differ between single arm and double arm models.

Sold Separately

Bracket options available.

Short

Bench Mount Wall Mount

Single Arm Select bracket by mounting method.

KA-A2

Double Arm

Arm Body

Extension Arm

Sold Separately

Bracket

Item names differ between single arm and double arm models.

Sold Separately

Bracket options available.

Long

Bench Mount Wall Mount

Double Arm Select bracket by mounting method.

Extension Arm

Features

- Enables **KA-A1** and **KA-A2** monitor arms to be used in a double-arm configuration
- Wiring can be routed

Parts Included

- Spacer, Angle Control Pin, M6 x 15 screw for Arm Fixation, M6 Spring Washer

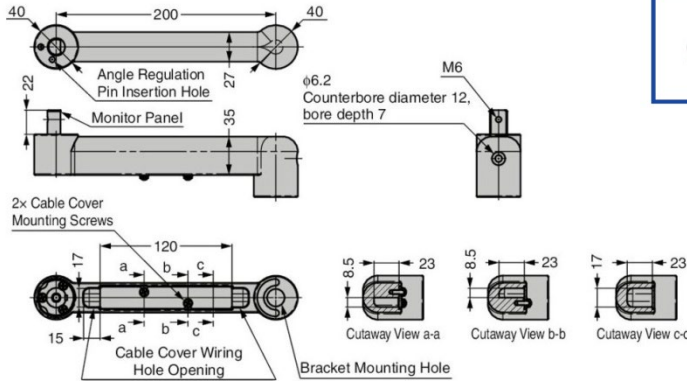


Black

Light Grey

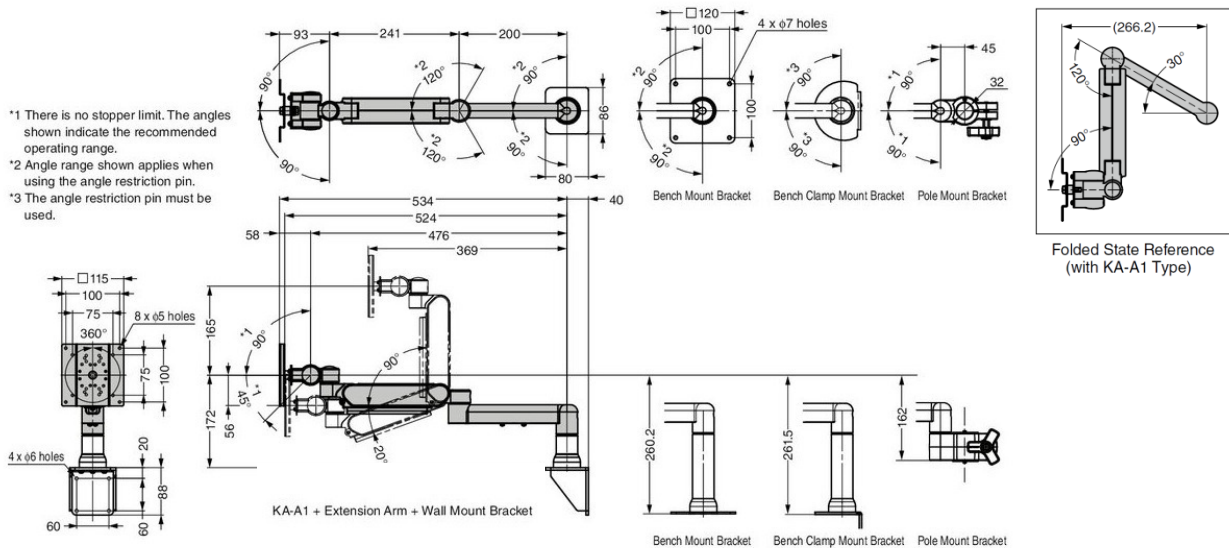


Cable Pass-Through



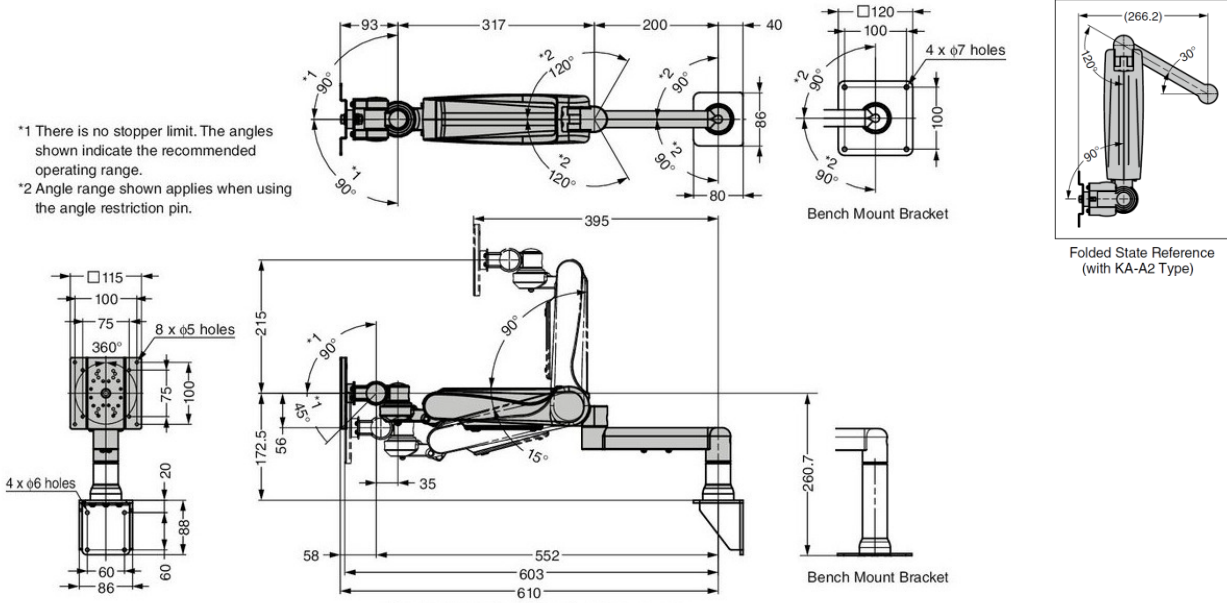
Configuration with KA-A1

- *1 There is no stopper limit. The angles shown indicate the recommended operating range.
- *2 Angle range shown applies when using the angle restriction pin.
- *3 The angle restriction pin must be used.



Configuration with KA-A2

- *1 There is no stopper limit. The angles shown indicate the recommended operating range.
- *2 Angle range shown applies when using the angle restriction pin.



Part No.	Colour	Material	Torque (Swivel)
KA-A1-AD2-BL	Black	Aluminium Alloy (ADC) / Steel	2 N.m.
KA-A1-AD2-LGR	Light Grey		

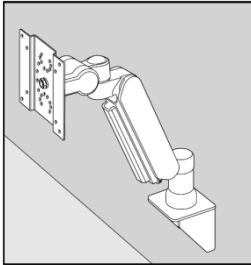
Wall Mount Bracket

Features

- Use with monitor arm **KA-A1** and **KA-A2**

Remarks

- Please install using the spacer included with the arm body
- When combined with single-arm, the angle restriction pin cannot be used
- Single-arm and double-arm brackets have different part numbers



Installation Image

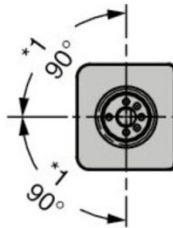


Black (Single Arm)

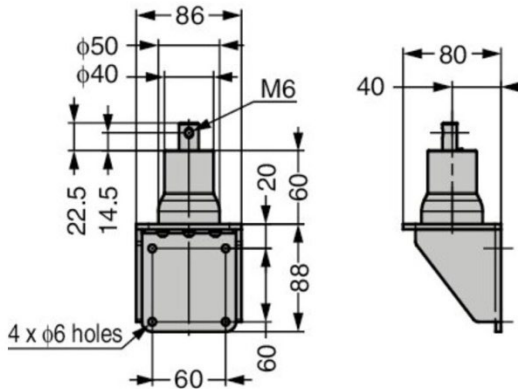
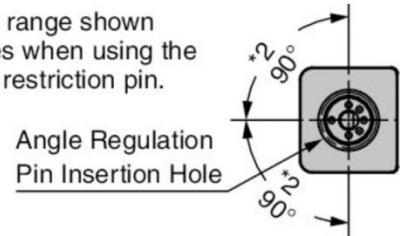


Light Grey (Double Arm)

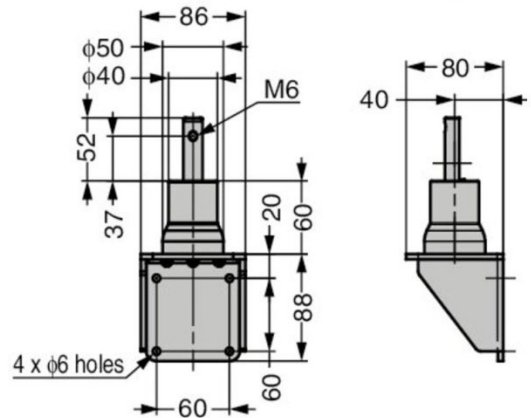
*1 There is no stopper limit. The angles shown indicate the recommended operating range.



*2 Angle range shown applies when using the angle restriction pin.



Single Arm



Double Arm

Part No.	Type	Colour	Material	Torque (Swivel)
KA-A1-2W1-BL	Single Arm	Black	Aluminium Alloy (ADC) / Steel	2 N.m.
KA-A1-2W1-LGR		Light Grey		
KA-A1-3W1-BL	Double Arm	Black		
KA-A1-3W1-LGR		Light Grey		

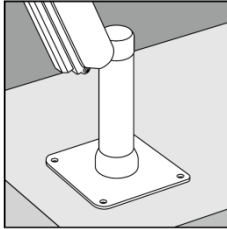
Bench Mount Bracket

Features

- Use with monitor arm **KA-A1** and **KA-A2**

Remarks

- Please install using the spacer included with the arm body
- When combined with single-arm, the angle restriction pin cannot be used
- Single-arm and double-arm brackets have different part numbers



Installation Image

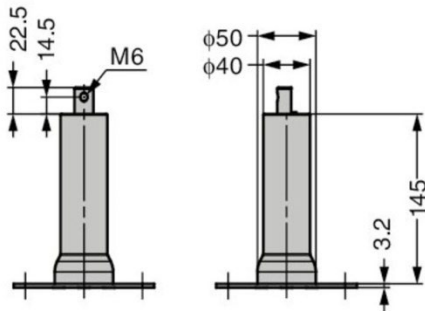
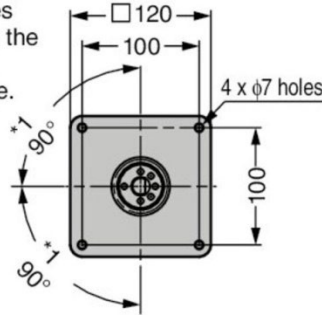


Black (Single Arm)



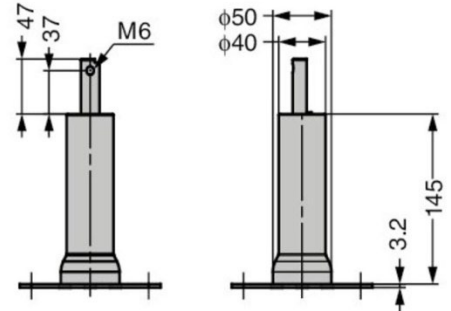
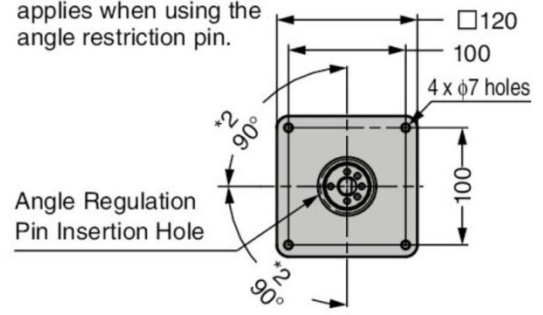
Light Grey (Double Arm)

*1 There is no stopper limit. The angles shown indicate the recommended operating range.



Single Arm

*2 Angle range shown applies when using the angle restriction pin.



Double Arm

Part No.	Type	Colour	Material	Torque (Swivel)
KA-A1-2T1-BL	Single Arm	Black	Aluminium Alloy (ADC) / Steel	2 N.m.
KA-A1-2T1-LGR		Light Grey		
KA-A1-3T1-BL	Double Arm	Black		
KA-A1-3T1-LGR		Light Grey		